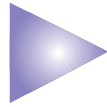


Series



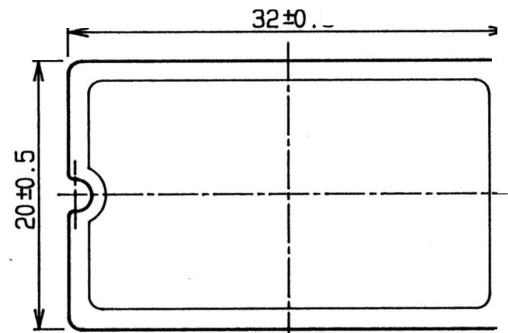
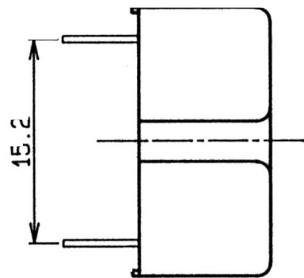
MODEL	INPUT VOLTAGE	OUTPUT VOLTAGE	OUTPUT CURRENT
MT2-0505SI	5 VDC (4.5 ~ 5.5V)	5 VDC	400mA
MT2-0512SI		12 VDC	160mA
MT2-0515SI		15 VDC	130mA
MT2-0512WI		+/-12 VDC	+/-80mA
MT2-0515WI		+/-15 VDC	+/-65mA
MT2-1205SI	12 VDC (10.8 ~ 13.2V)	5 VDC	400mA
MT2-1212SI		12 VDC	160mA
MT2-1212WI		+/-12 VDC	+/-80mA
MT2-1215WI		+/-15 VDC	+/-65mA
MT2-2405SI	24 VDC (21.6 ~ 26.4V)	5 VDC	400mA
MT2-2412SI		12 VDC	160mA
MT2-2412WI		+/-12 VDC	+/-80mA
MT2-2415WI		+/-15 VDC	+/-65mA

TYPE A: SINGLE OUTPUT

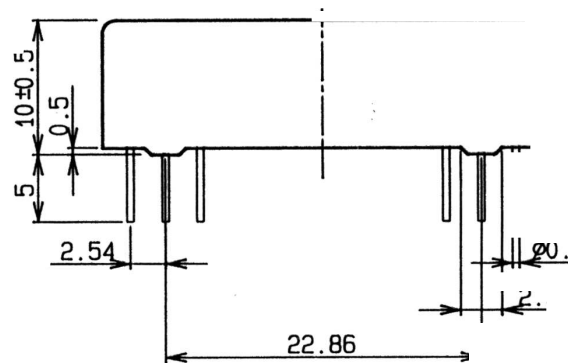
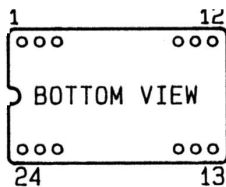
1, 24	INPUT + V
12, 13	INPUT - V
11, 14	OUTPUT + V
10, 15	OUTPUT - V
2, 23	NC
3, 22	NC

TYPE A: DUAL OUTPUT

1, 24	INPUT + V
12, 13	INPUT - V
11, 14	OUTPUT1 + V
10, 15	OUTPUT1 - V
2, 23	OUTPUT2 + V
3, 22	OUTPUT2 - V



PIN LOCATION



NOTE:

All specifications typical and nominal / full load and 25°C unless otherwise noted.
 Avoid sustained operation in overload or dead short conditions.
 Specifications subject to changes without notice.

• Dimensions in mm

